

PTPW10



PTPW20

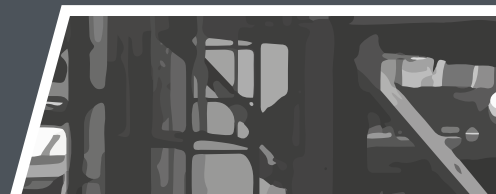


PTPW30



PTPW50

Hand pump	A (mm)	B (mm)	C (mm)	D (mm)	E (mm)	F (mm)	G (mm)	Capacity	Weight	Double speed
PTP W10	1900	870	550	180	1100	125	500	10 t	100 Kg	•
PTP W20	2000	1000	620	180	1100	150	500	20 t	130 Kg	•
PTP W30	2130	1200	700	200	1150	180	650	30 t	230 Kg	•
PTP W50	2300	1300	800	200	1100	180	750	50 t	350 Kg	•
PTP W100	2300	1530	1020	200	1000	265	850	100 t	1050 Kg	•



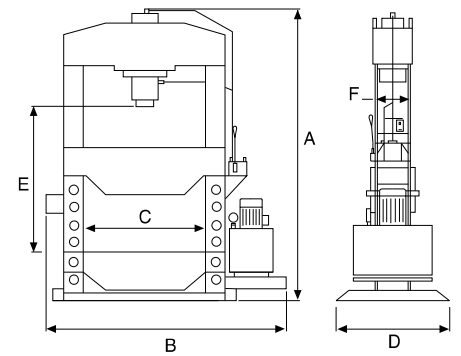
Presses



PTPEH100



PTPEH50



Motor driven	A (mm)	B (mm)	C (mm)	D (mm)	E (mm)	F (mm)	Capacity	Weight	Double speed
PTP EH50	2250	1420	820	750	1100	180	50 t	420 Kg	•
PTP EH100	2100	1660	1020	850	1000	270	100 t	1000 Kg	•
PTP EH150	2300	1800	1020	1000	1150	405	150 t	1700 Kg	•

